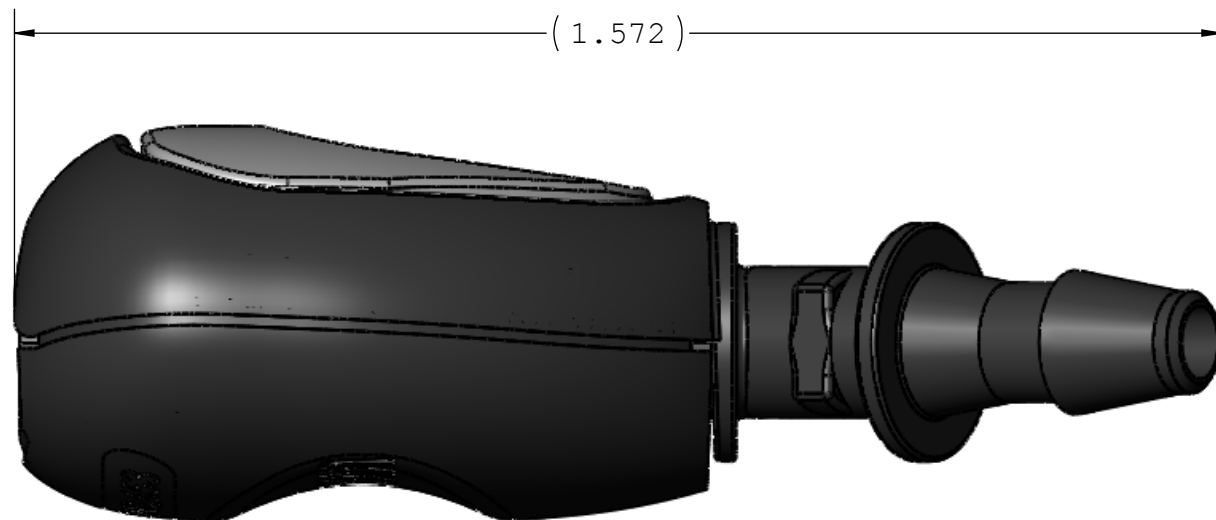
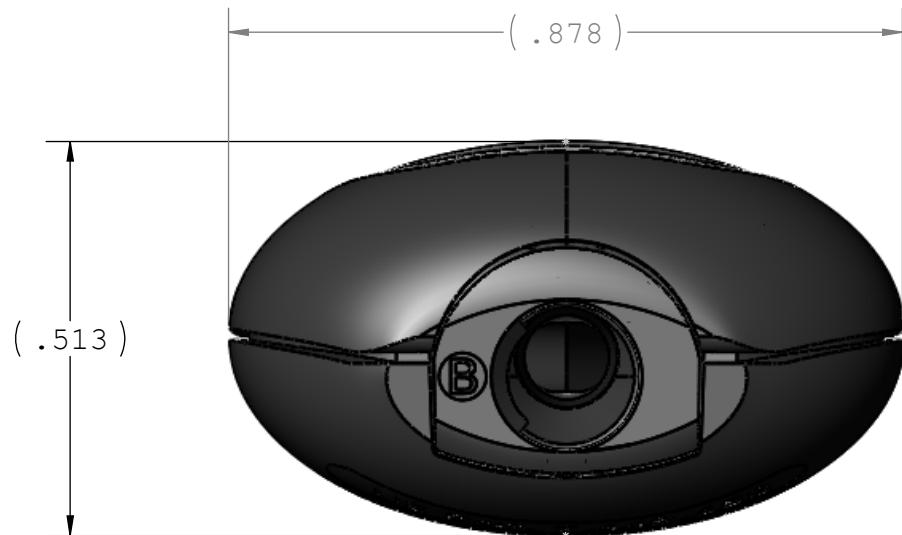
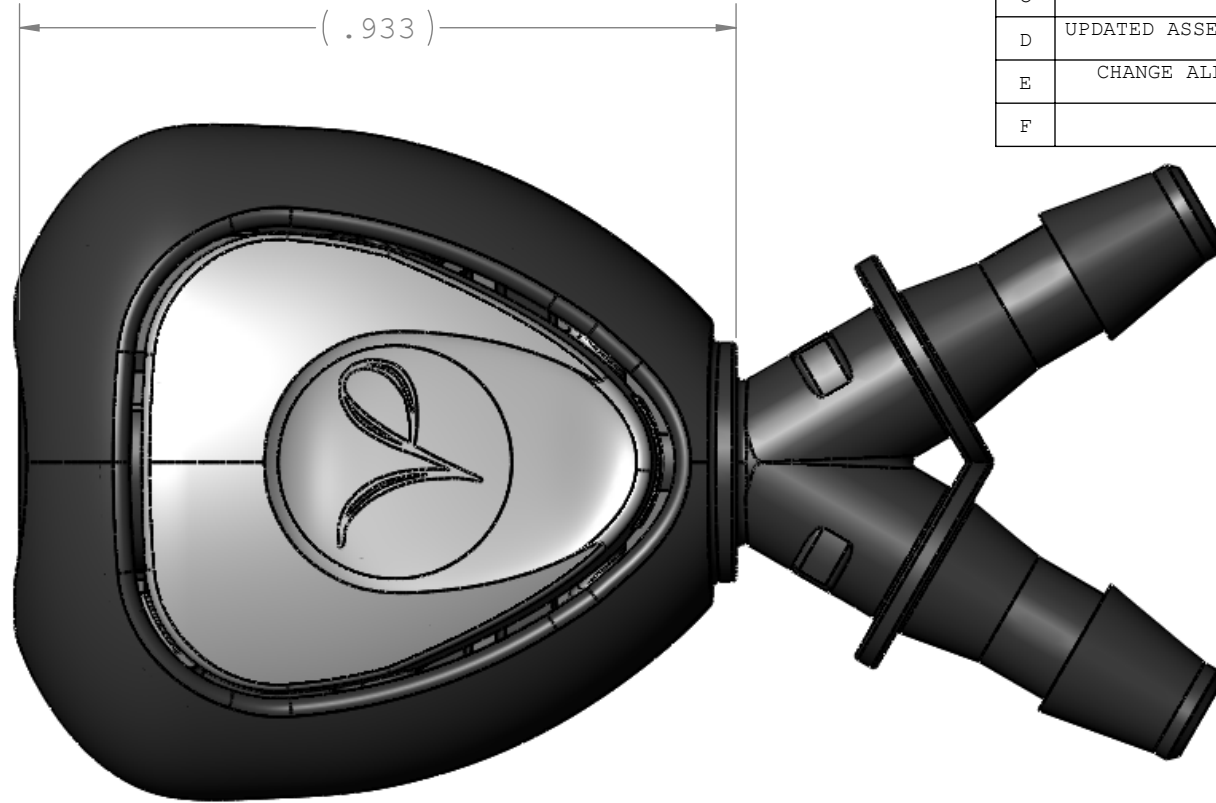
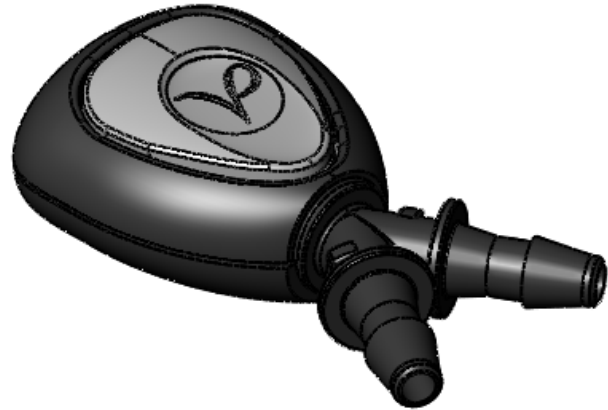


NOTES: FOR MORE DETAILS SEE YOUR V.P. SERVICE REP.

REVISIONS			
REV.	DESCRIPTION	DATE	APPROVED
A	CUSTOMER APPROVAL RELEASE	04-04-07	RICK C.
B	PRODUCTION RELEASE	06-27-07	S.N.R.
C	REDRAWN IN SOLIDWORKS; ECO 092 CHANGES INCORPORATED	12-30-08	FJL
D	UPDATED ASSEMBLY COMPONENTS & MATES PER ECO 107	03-13-09	S.N.R
E	CHANGE ALL DIMENSIONS TO REFERENCE PER ECO 136	06-16-09	S.N.R
F	ECO 142	03-29-10	S.N.R



UNLESS OTHERWISE SPECIFIED
DIMENSIONS ARE IN INCHES
TOLERANCES ARE:

FRACTIONS	DECIMAL	ANGULAR
±	.XX ±.01	± 1°
	.XXX ±.005	
	.XXXX ±.001	

DO NOT SCALE DRAWING

VALUE PLASTICS, INC

PART NUMBER: BPFY230

DESCRIPTION: Bayonet-Style Female Quick Connect "Y" Fitting, 200 Series Barbs, 1/8" (3.2 mm) ID Tubing

DRAWN BY: Frank.Lombardi

DATE: 3/29/2010

SIZE: **B**

SCALE: NTS

VER:

DWG. NO. 1009974

REV: F

NEW PRODUCT DEVELOPMENT MGR: R. Narayanan

© 2008 VALUE PLASTICS, INC

SHEET: 1 OF 1

FOR REFERENCE ONLY